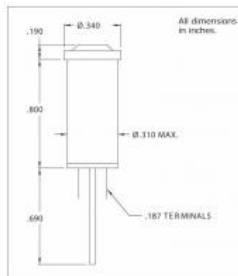




Products

Neon & Incandescent Indicators

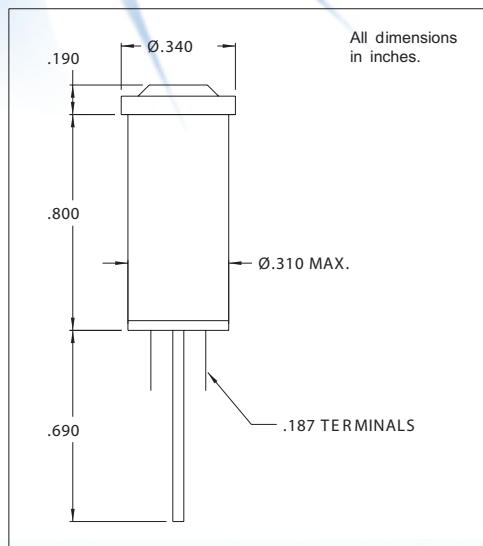
CML IT offers panel mount indicators manufactured with LED, Neon or Incandescent light sources. These indicators are available in a number of different lens and termination styles, with voltages of 2V ~ 250V available off-the-shelf.



Part Number: 2195QA5-12V
Serial Number: 2195
Light Source: Incandescent
Color: Green
Voltage (V): 12V
Mounting Hole (inch): 0.31
Mounting Hole (metric): 7.9
Termination: .187" QC
Bezel color: White
Housing color: White
UL file: E20325
CSA file: LR13346
RoHS Status: Yes

2195QA Series Non-Relampable Incandescent Indicator Lights

DESCRIPTION AND FEATURES



Mounting: Ø.310 MIN., supplied with push-on speednut SN1287.

Terminals: Quick-connect, tinned brass

Lens: Polycarbonate

Bezel: White nylon. For black finish add "X" after the series letter(s).

Housing: White Nylon

Lens Color	Incandescent	
	Model No. 12V	Model No. 28V
Red	2195QA1-12V	2195QA1-28V
Amber	2195QA3-12V	2195QA3-28V
White	2195QA4-12V	2195QA4-28V
Green	2195QA5-12V	2195QA5-28V
Lamp	#2162	#2187

Underwriters Laboratories (UL) File No. E20325
 Canadian Standards Association (CSA) File No. LR13346

Chicago Miniature Lamp reserves the right to make specification revisions that enhance the design and/or performance of the product